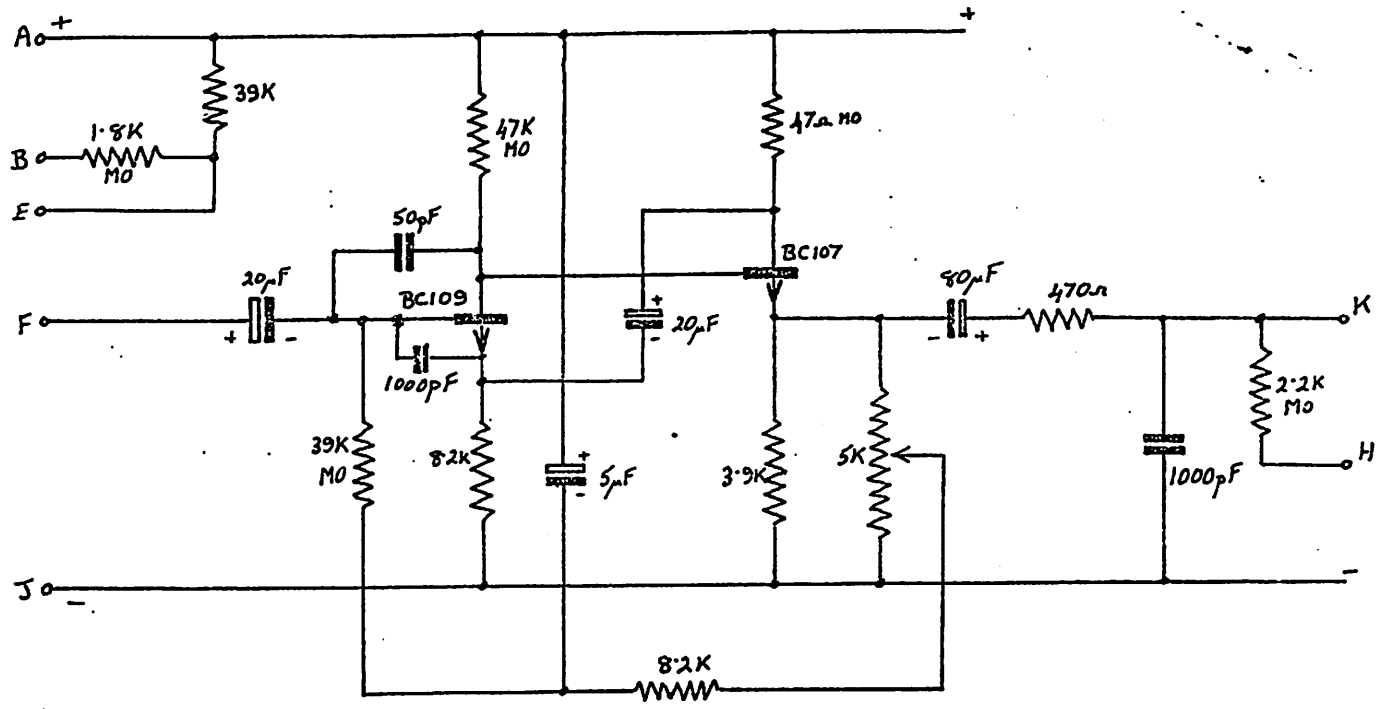


B105



15K in combining resistors.

$$R_{FB} \text{ (between H \& F)} = 4.7K \text{ (-10dB)}$$