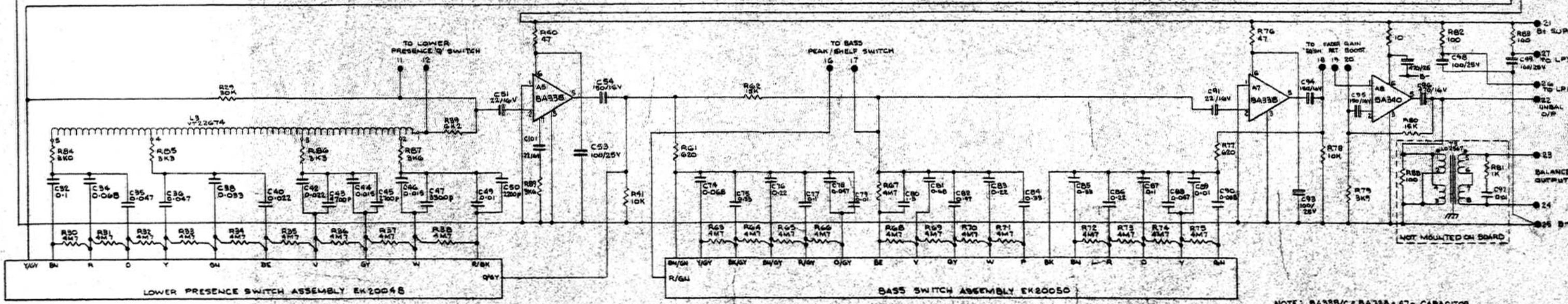
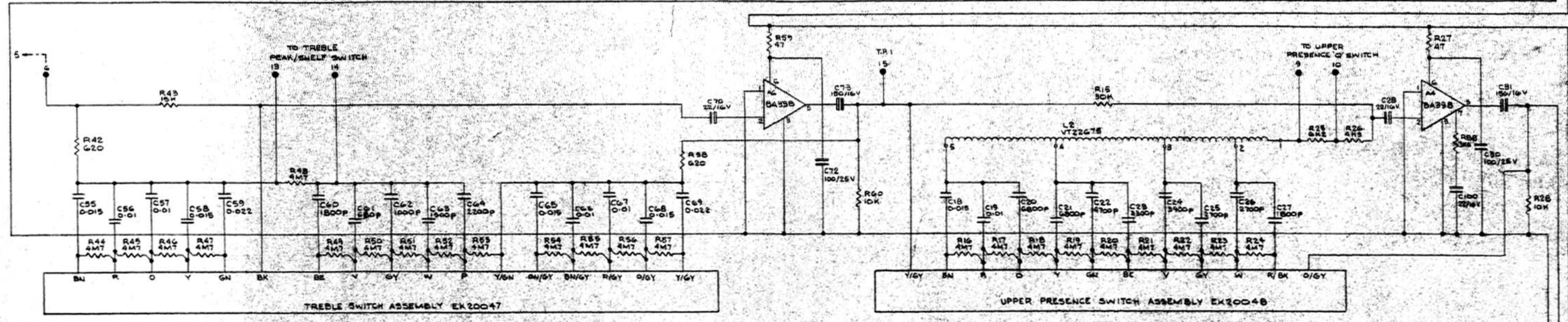
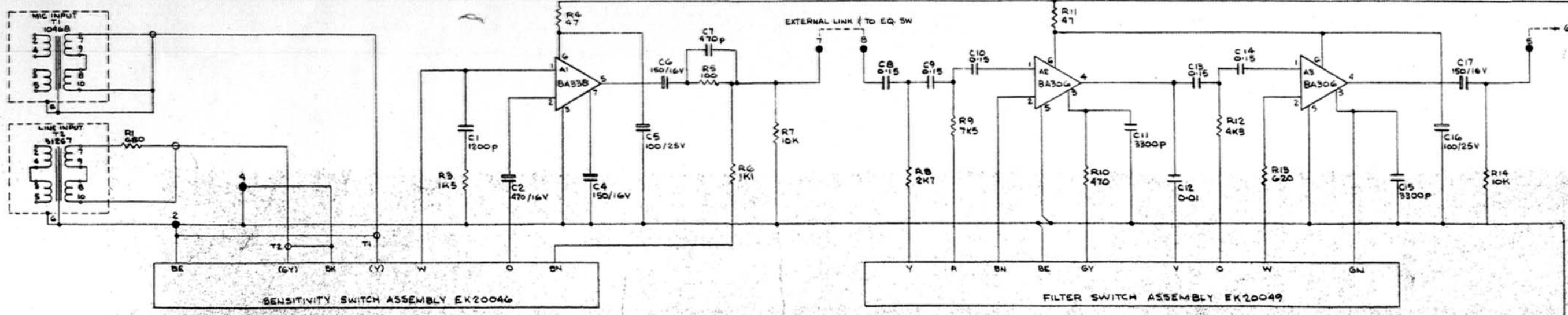


NOTE:
MIC. & LINE INPUT CABLES TO THESE TRANSFORMERS MUST NOT BE STRAPPED NOR RUN TOGETHER.
(Y) REFERS TO ALTERNATE SWITCH CONFIGURATION SEE EK20046



NOTE: BA338/C = BA338 + 47p CAPACITOR

7	6	5	4	3	2	1	REVISION
8-7-74	2-10-75	6-9-75	31-5-75	15-1-75	17-10-72	12-9-72	DATE
10945	10790 10802	10757	10708	10627	10580		DESCRIPTION
REWORKED 11-28-75 DMS							APPROVED

Neve Rupert Neve Incorporated
Berkshire Industrial Park
Bethel, Connecticut 06807

PROJECT: **BA312** 1081 MOTHERBOARD
SCALE: **A599**
DRAWING NO.: **EX10312**