



902-8B/902-16B COMPRESSION DRIVER LOUDSPEAKERS



DESCRIPTION

The Altec 902-8B and 902-16B High Frequency Driver Loudspeakers are designed for professional sound applications requiring outstanding production of sound over a wide frequency range at substantial power levels. Such conditions are fulfilled with high efficiency and uniform response from 500 Hz to 20,000 Hz.

These drivers furnish the realistic sound production demanded by theatres and music halls, portable concert sound systems and playback systems when used in conjunction with Altec 511B (500 Hz), 811B (800 Hz), or MR 931-12 (1200 Hz) horns, appropriate Altec dividing networks and Altec professional low frequency loudspeakers.

The 902-8B and 902-16B drivers use a voice coil of 1 3/4-inch diameter, edge wound with aluminum ribbon and coupled to an aluminum tangential diaphragm. The entire diaphragm and voice coil assembly is field replaceable; no special tools are required. The 902-8B and 902-16B are fitted with a loading cap to permit operation at crossover frequencies from 500 Hz to 1200 Hz.

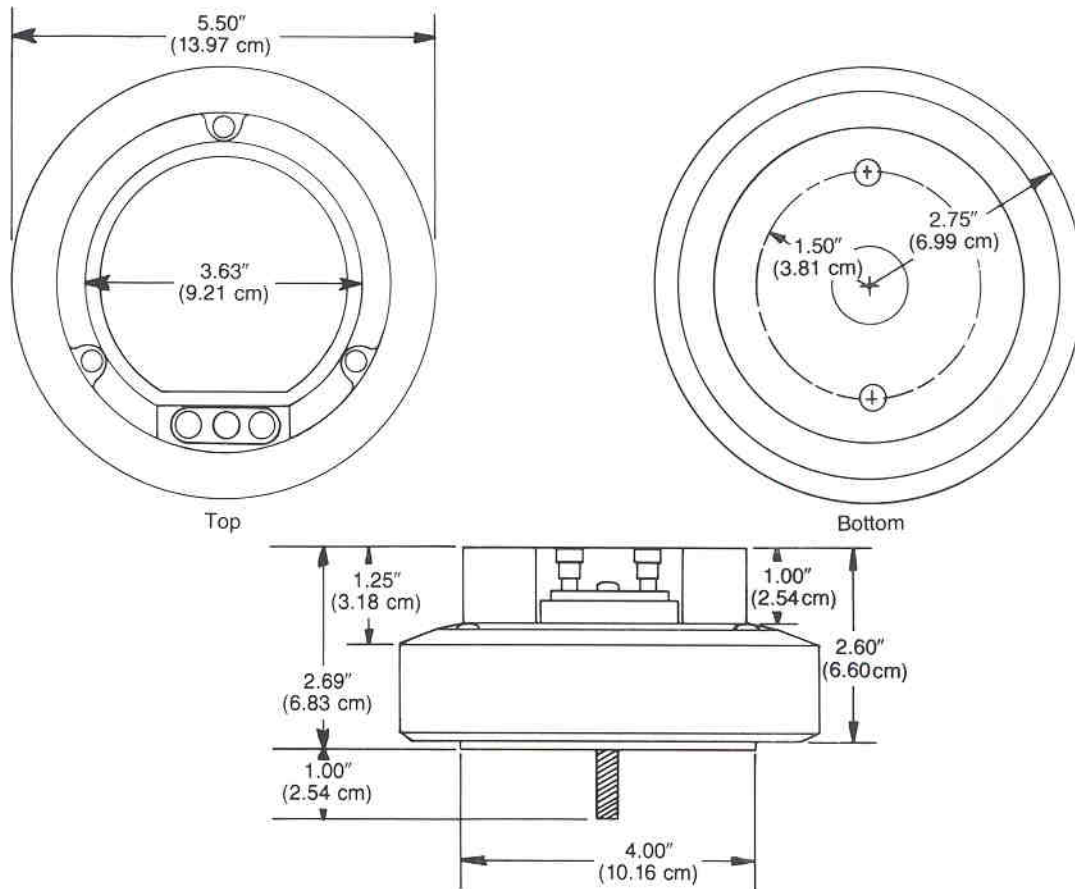
Altec's new Tangerine® radial phase plug* refines the technology of proper phasing, ensuring maximum high frequency reproduction while maintaining smooth overall response.

The driver is capable of uniform, peak-free reproduction throughout the range of human hearing.

SPECIFICATIONS

Power Capacity:	15 watts continuous pink noise from 500 Hz to 20 kHz. Measurements made on Altec 511B horn.
Frequency Response:	500 Hz to 20 kHz
Pressure Sensitivity:	106 dB SPL measured 1 m from mount of Altec 511B horn with 1 watt input of pink noise, band limited from 1200 Hz-5000 Hz
Minimum Impedance:	8 ohms or 16 ohms
Construction:	
Magnet—	Ferrite, 40 ounces
Flux Density—	1.8 Tesla
Magnetic Structure Weight—	5 3/4 lbs. (2.61 kg)
Diaphragm—	Aluminum tangential rignon
Voice Coil—	Edgewound aluminum rignon
Dimensions:	5 1/2" (13.97 cm) diameter 2 3/8" (6.67 cm) deep, less mounting studs
Weight:	6 lbs, 6 oz. (2.90 kg)
Finish:	Gray "Hammertone" enamel with black rubber boot
Mounting Data:	Two 1/4" - 20 x 1" studs, 180° apart on 1 1/2" centers
Replacement Diaphragm:	34647 (902-8B) 34852 (902-16B)

*Reg. U.S. Patent No. 4,050,541; Foreign patents pending.



ARCHITECT'S AND ENGINEER'S SPECIFICATIONS

The compression driver loudspeaker shall meet the following criteria. Power capacity; 15 watts continuous pink noise, band-limited from 500 to 20 kHz measured on Altec 511B horn. Frequency response, uniform from 500 Hz to 20 kHz. Pressure sensitivity; 106 dB SPL measured at 1m from mouth of Altec 511B horn with 1 watt input of pink noise, band-limited from 1200 Hz top 5 kHz. The voice coil shall be of edgewound aluminum ribbon and shall operate in a magnetic gap having a flux density of 18,000 T derived from a 40-ounce ferrite magnet. The diaphragm shall be an aluminum tangential. A Tangerine® phasing plug with 13 radial acoustic slots shall be utilized to provide the proper phase relationship between the

sound emanating from center and edges of the diaphragm and voice coil assembly. The entire diaphragm and voice coil assembly shall be field replaceable without requiring special tools or skills. The driver shall be 5½" in diameter by 2¾" deep (excluding 1" depth of mounting studs), and shall weigh 6 pounds, 6 ounces.

The driver shall have a minimum impedance of 8 ohms or 16 ohms and shall operate at crossover frequencies of 500 Hz, 800 Hz, 1200 Hz, or higher.

The compression driver loudspeaker shall be the Altec Model 902-8B, or Model 902-16B.

ROW 1 (1 : 4)



ROW 2 (4 : 4)



P.O. BOX 26105; OKLAHOMA CITY, OKLAHOMA 73126-0105, U.S.A.

©1987 ALTEC LANSING CORPORATION