



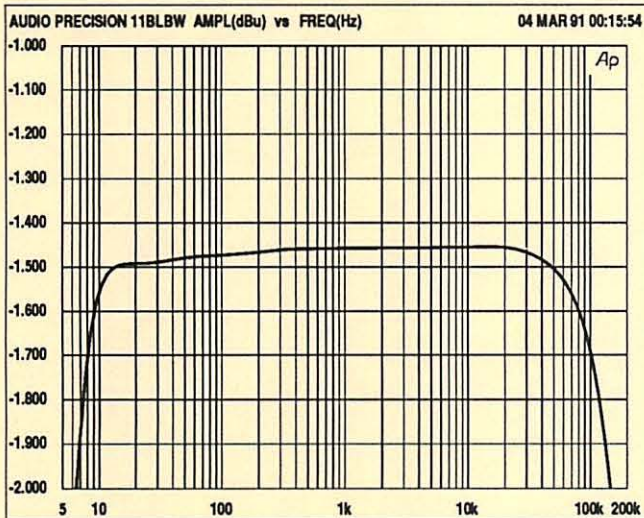
**BAUER COMMUNICATIONS, INC.**

**PRECISION TRANSFORMERS**  
By Reichenbach Engineering

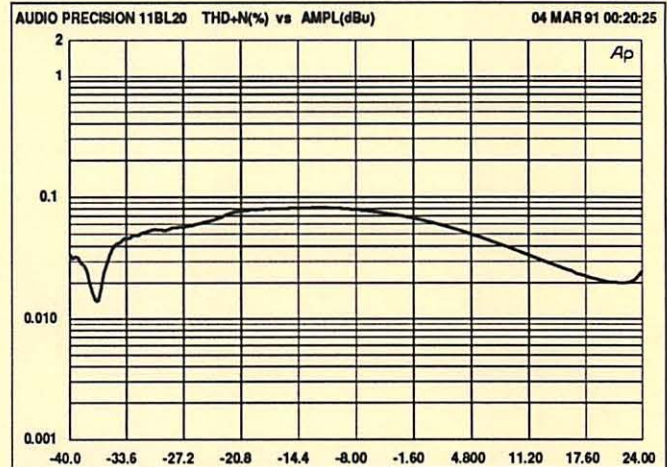
output  
600:600  
+32dBu

# RE-11-BLCF

## CHANNEL MOUNT OUTPUT TRANSFORMER

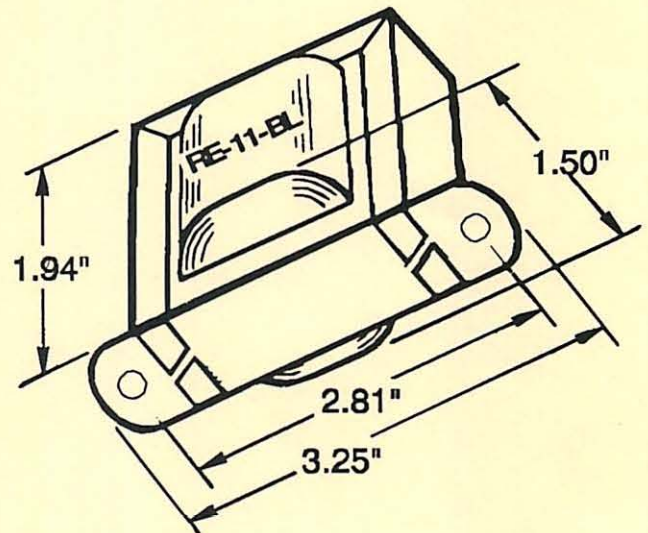


**RE-11-BLCF MAGNITUDE RESPONSE**



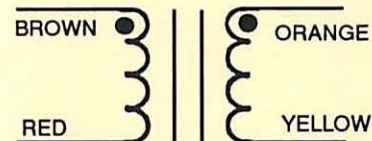
**RE-11-BLCF 20Hz DISTORTION**

- Impedance Ratio: 600 ohms to 600 ohms
- Turns Ratio: 1:1
- 20Hz Max output Level: +32 dBu
- Bandwidth (-3db point): > 200 kHz
- Magnitude Response (20Hz to 20KHz): 0.2 db
- Recommended Source: 0 ohms
- DCR: 40 ohms
- Recommended RC network: none



**NOTE:** All transformers formerly sold under the *Jensen Transformers* name are the design and manufacture of Reichenbach Engineering.

Specifications subject to change without notice or obligation



©1991 BCI

6887 Farndale Avenue, Bldg.12, North Hollywood, CA 91605  
(800) 627-7277 (818) 891-9983 FAX (818) 894-0715