



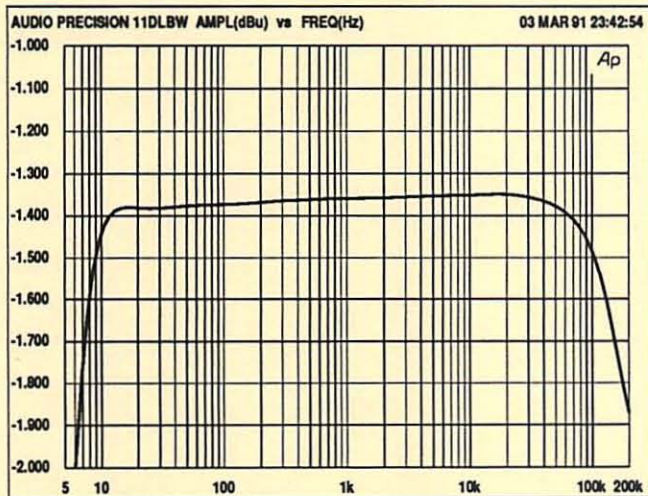
BAUER COMMUNICATIONS, INC.

PRECISION TRANSFORMERS
By Reichenbach Engineering

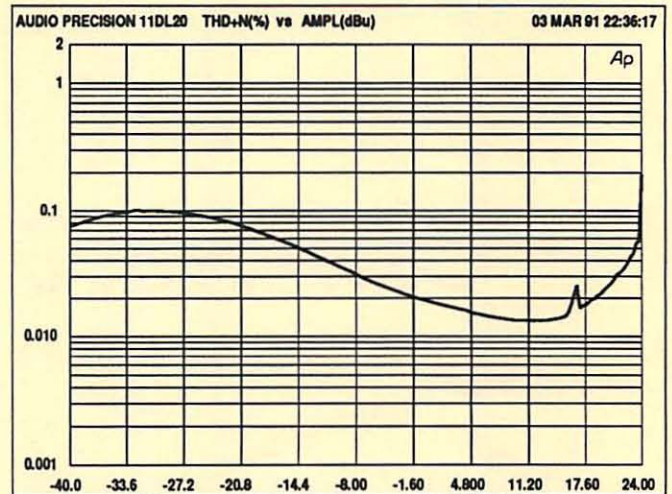
output
600:600
+27dB_v

RE-11-DLCF

CHANNEL MOUNT OUTPUT TRANSFORMER



RE-11-DLCF MAGNITUDE RESPONSE

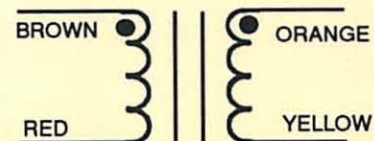
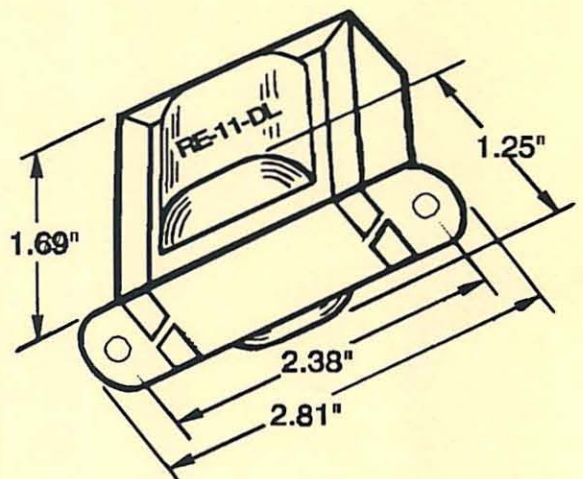


RE-11-DLCF 20Hz DISTORTION

- Impedance Ratio: 600 ohms to 600 ohms
- Turns Ratio: 1:1
- 20Hz Max output Level: +27 dBu
- 30Hz Max output Level: +30 dBu
- Bandwidth (-3db point): > 200 kHz
- Magnitude Response (20Hz to 20Khz): 0.2 db
- Recommended Source: 0 ohms
- DCR: 38 ohms
- Recommended RC network: none

NOTE: All transformers formerly sold under the *Jensen Transformers* name are the design and manufacture of **Reichenbach Engineering**.

Specifications subject to change without notice or obligation



©1991 BCI