



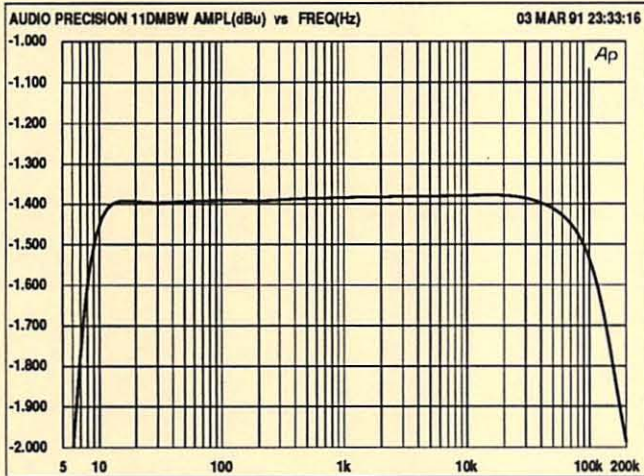
BAUER COMMUNICATIONS, INC.

PRECISION TRANSFORMERS
By Reichenbach Engineering

output
600:600
+21dB

RE-11-DMCF

CHANNEL MOUNT OUTPUT TRANSFORMER

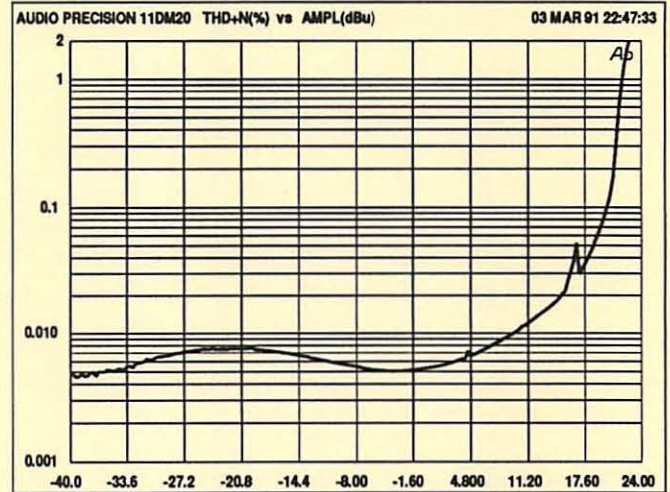


RE-11-DMCF MAGNITUDE RESPONSE

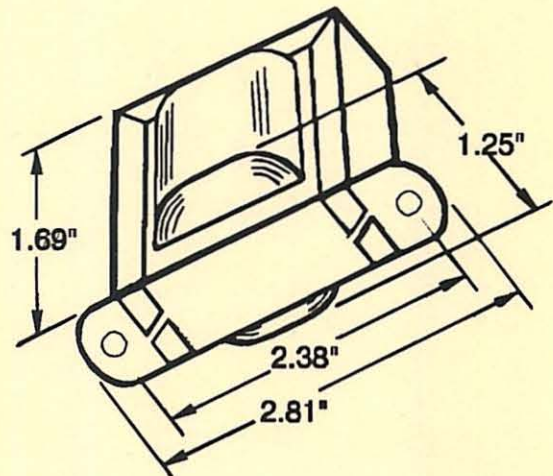
- Impedance Ratio: 600 ohms to 600 ohms
- Turns Ratio: 1:1
- 20Hz Max output Level: +21 dBu
- 30Hz Max output Level: +25 dBu
- Bandwidth (-3db point): > 200 kHz
- Magnitude Response (20Hz to 20Khz): 0.2 db
- Recommended Source: 0 ohms
- DCR: 38 ohms
- Recommended RC network: none

NOTE: All transformers formerly sold under the *Jensen Transformers* name are the design and manufacture of Reichenbach Engineering.

Specifications subject to change without notice or obligation



RE-11-DMCF 20Hz DISTORTION



©1991 BCI