



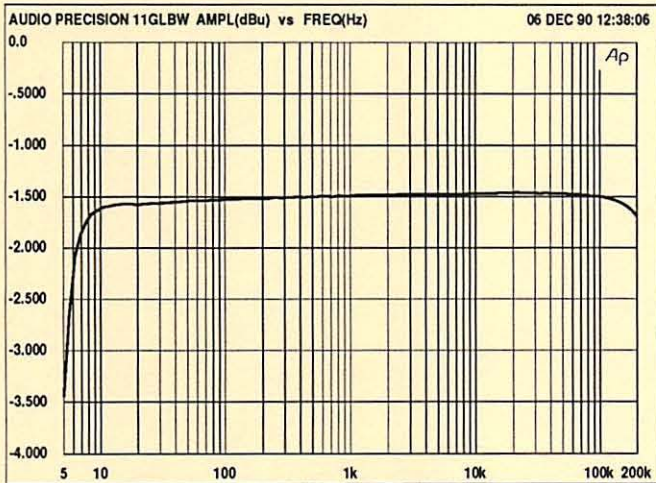
BAUER COMMUNICATIONS, INC.

PRECISION TRANSFORMERS
By Reichenbach Engineering

output
600:600
+ 7dB_v

RE-11-GLCF

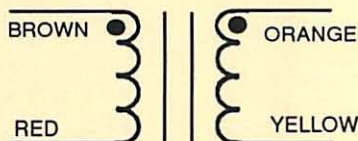
CHANNEL MOUNT OUTPUT TRANSFORMER



RE-11-GLCF MAGNITUDE RESPONSE

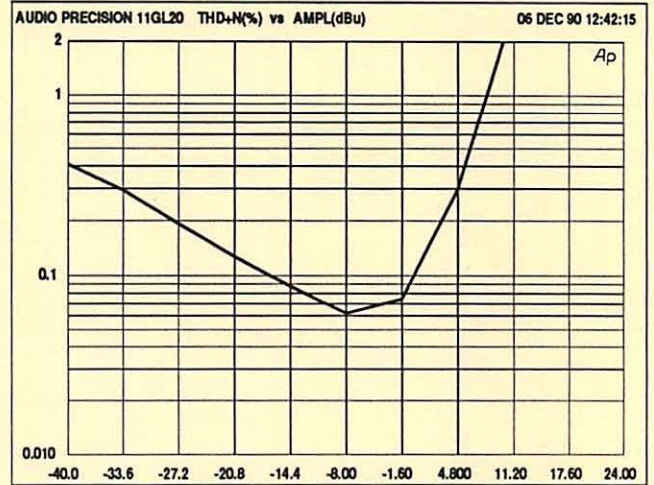
Impedance Ratio: 600 ohms to 600 ohms

- **Turns Ratio:** 1:1
- **20Hz Max Output Level:** + 7 dBu
- **30Hz Max Output Level:** +11 dBu
- **40Hz Max Output Level:** +14 dBu
- **50Hz Max Output Level:** +16 dBu
- **Bandwidth (-3db point):** >200 kHz

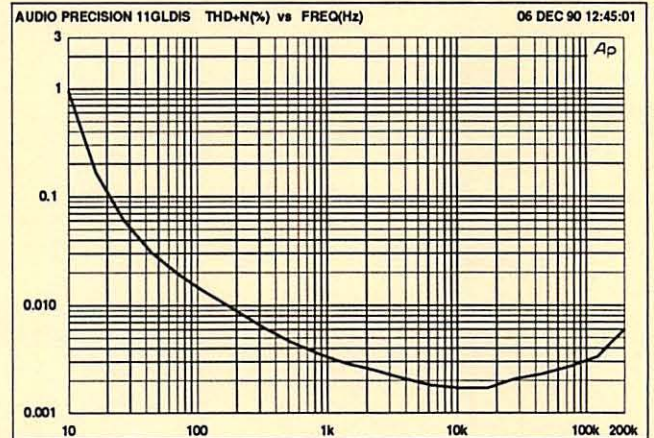


NOTE: All transformers formerly sold under the *Jensen Transformers* name are the design and manufacture of **Reichenbach Engineering**.

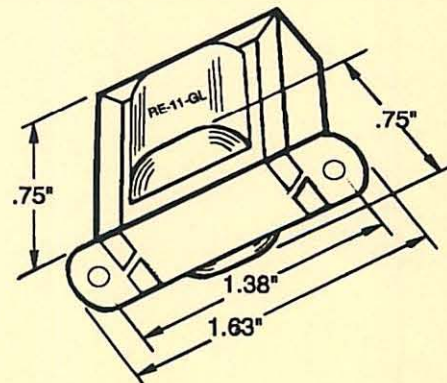
Specifications subject to change without notice or obligation.



RE-11-GLCF 20Hz DISTORTION



RE-11-GLCF BROAD BAND DISTORTION



©1991 BCI

6887 Farmdale Avenue, Bldg. 12, North Hollywood, California 91605
(800) 627-7277 (818) 891-9983 FAX (818) 894-0715