



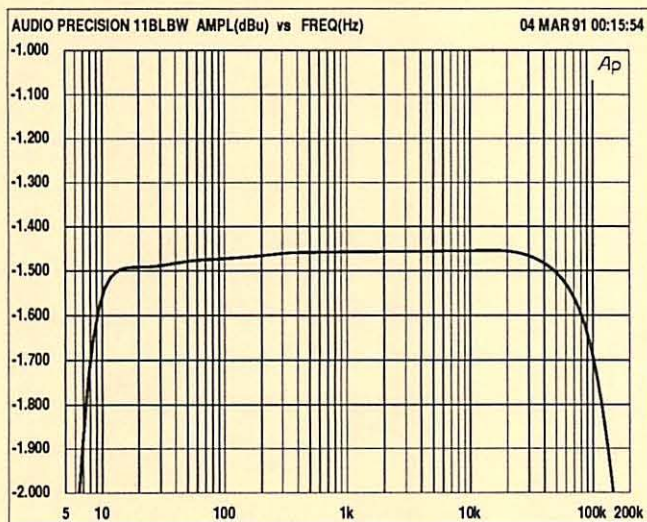
BAUER COMMUNICATIONS, INC.

PRECISION TRANSFORMERS
By Reichenbach Engineering

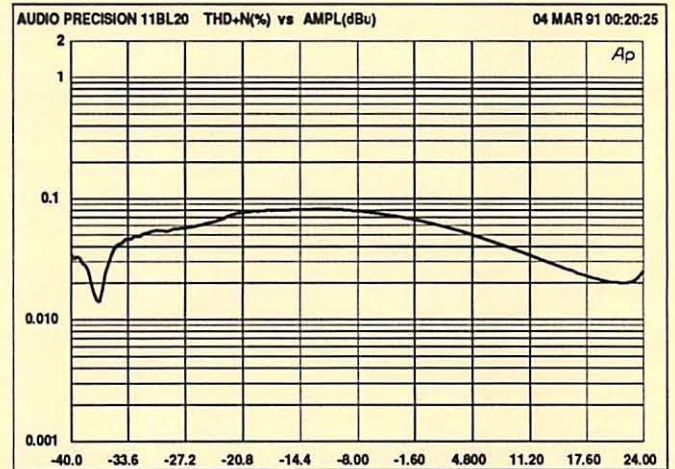
output split
600/150 ; 600/150
+ 32dBu

RE-123-BLCF

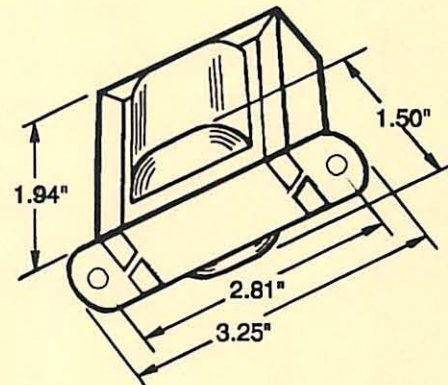
CHANNEL MOUNT OUTPUT TRANSFORMER



RE-123-BLCF MAGNITUDE RESPONSE



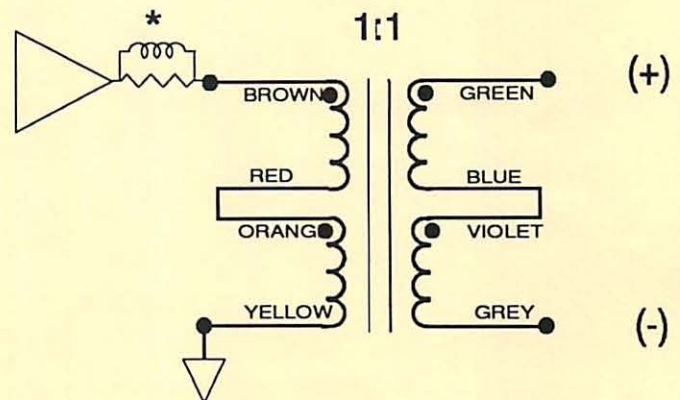
RE-123-BLCF 20Hz DISTORTION



- Impedance Ratio: 600/150 ohms to 600/150 ohms
- Turns Ratio: 1:1
- 20Hz Max output Level: +32 dBu
- Bandwidth (-3db point): > 200 kHz
- Magnitude Response (20Hz to 20Khz): 0.2 db
- Recommended Source: 0 ohms
- DCR: 20 ohms
- Recommended RC network: none

NOTE: All transformers formerly sold under the *Jensen Transformers* name are the design and manufacture of Reichenbach Engineering.

Specifications subject to change without notice or obligation



©1991 BCI