



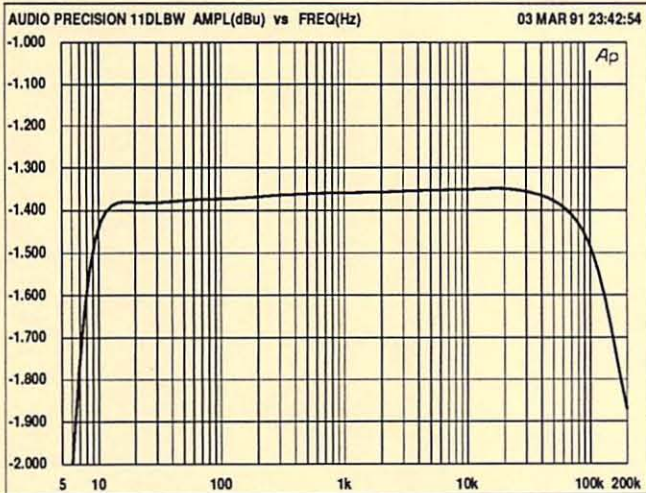
BAUER COMMUNICATIONS, INC.

PRECISION TRANSFORMERS
By Reichenbach Engineering

output split
600/150 : 600/150
+27dBu

RE-123-DLCF

CHANNEL MOUNT OUTPUT TRANSFORMER

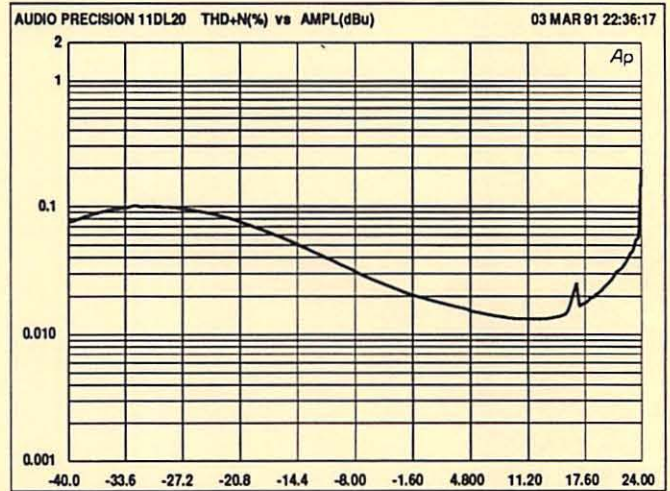


RE-123-DLCF MAGNITUDE RESPONSE

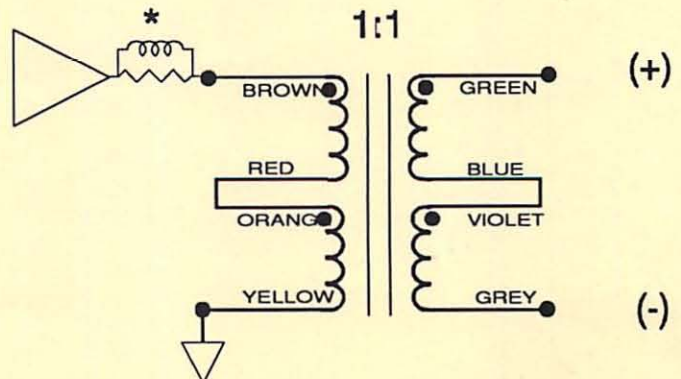
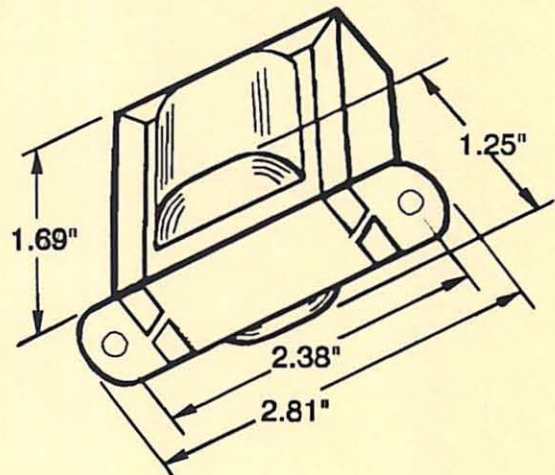
- Impedance Ratio: 600/150 ohms to 600/150 ohms
- Turns Ratio: 1:1,1:2
- 20Hz Max output Level: +27 dBu
- 30Hz Max output Level: +30 dBu
- Bandwidth (-3db point): > 200 kHz
- Magnitude Response (20Hz to 20Khz): 0.2 db
- Recommended Source: 0 ohms
- DCR: 19 ohms
- Recommended RC network: none

NOTE: All transformers formerly sold under the *Jensen Transformers* name are the design and manufacture of Reichenbach Engineering.

Specifications subject to change without notice or obligation



RE-123-DLCF 20Hz DISTORTION



©1991 BCI