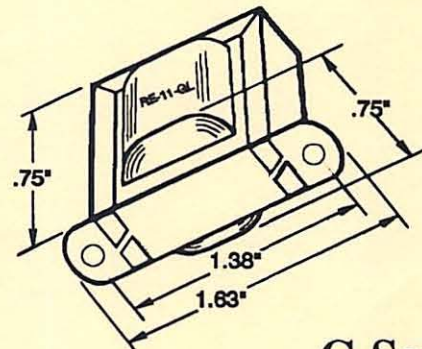
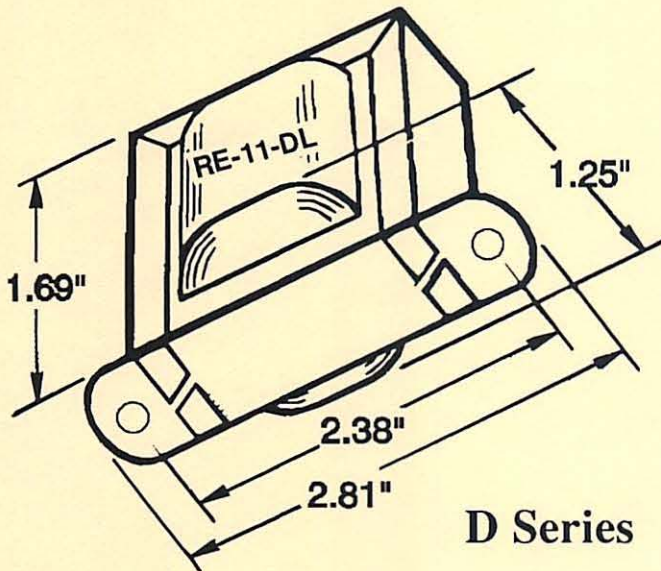
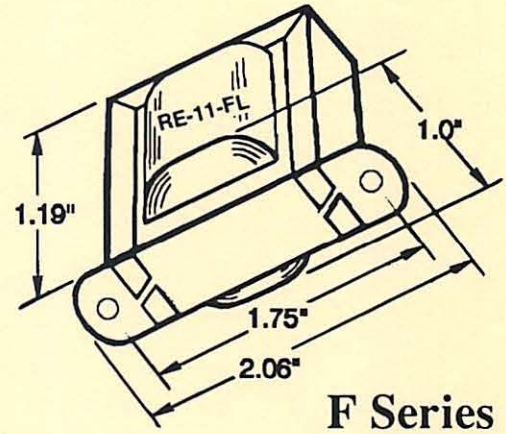
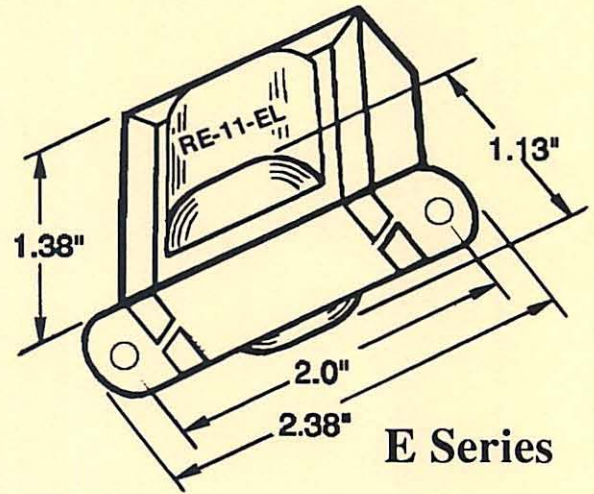
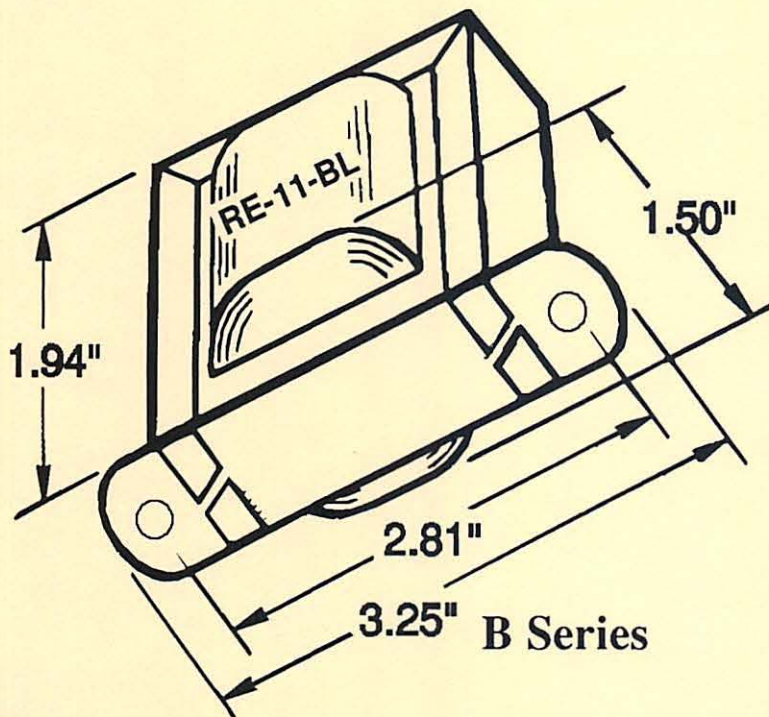


OUTPUT TRANSFORMER SIZES



- B Series - approx. weight 19 oz
- D Series - approx. weight 11 oz
- E Series - approx. weight 6 oz
- F Series - approx. weight 4 oz
- G Series - approx. weight 1.5 oz