



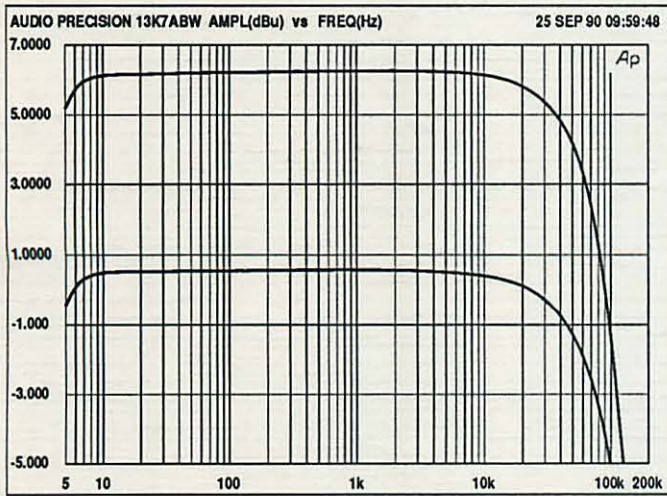
**BAUER COMMUNICATIONS, INC.**

**PRECISION TRANSFORMERS**  
By Reichenbach Engineering

MIC input  
150:3750  
+ 8dBu

# RE-13K7-A

## MICROPHONE INPUT TRANSFORMER



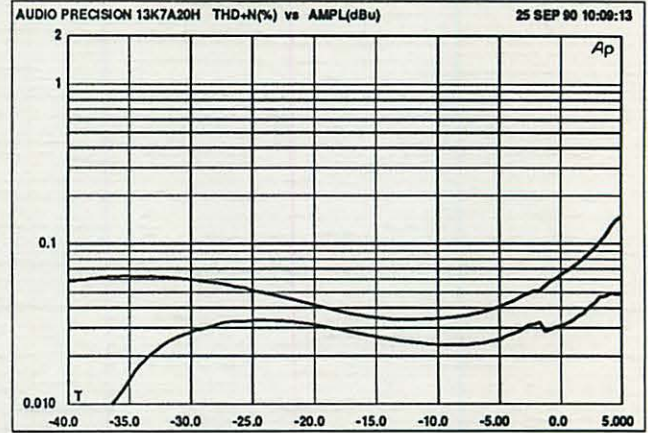
### RE-13K7-A MAGNITUDE RESPONSE

Upper trace:  $R_L$  of 39K ohms. Lower trace:  $R_L$  of 4K ohms

- **Impedance Ratio:** 150 ohms to 3750 ohms
- **Turns Ratio:** 1:5
- **20Hz Max Input Level:** +8 dBu
- **Bandwidth (-3db point):** >60 kHz
- **Magnetic Shield:** 30db case with separate lead (white)
- **Faraday Shield:** 1 with separate lead (Black)
- **Recommended Load:** 39K ohms
- **Recommended RC network:** 12.1K + 270pf

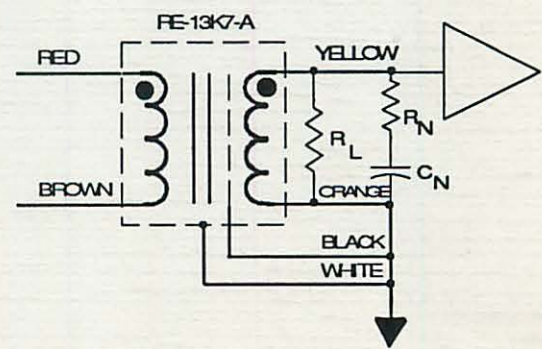
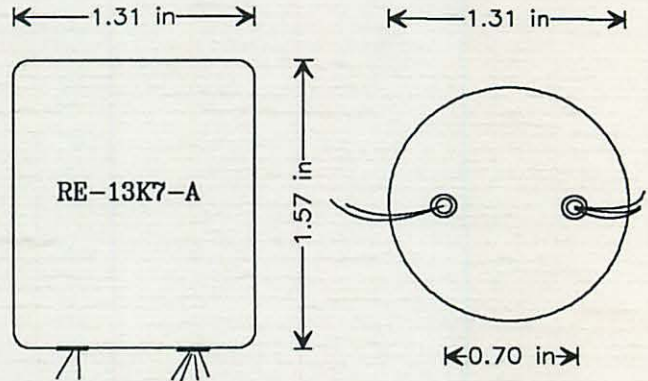
**NOTE:** All transformers formerly sold under the *Jensen Transformers* name are the design and manufacture of Reichenbach Engineering.

Specifications subject to change without notice or obligation.



### RE-13K7-A 20Hz DISTORTION

Upper trace:  $R_L$  of 39K ohms. Lower trace:  $R_L$  of 4K ohms



©1991 BCI

6887 Farndale Avenue, Bldg.12, North Hollywood, CA 91605  
(800) 627-7277 (818) 891-9983 FAX (818) 894-0715