



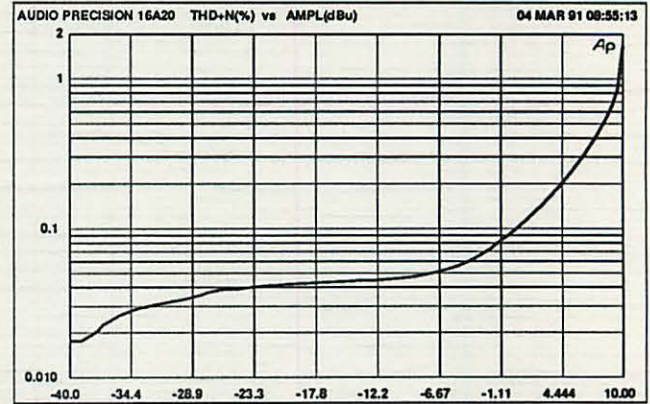
BAUER COMMUNICATIONS, INC.

PRECISION TRANSFORMERS
By Reichenbach Engineering

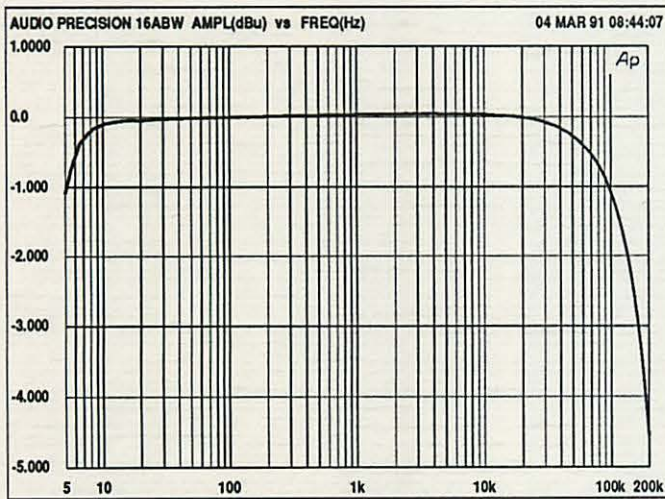
MIC input
150:600
+ 8dBu

RE-16A

MICROPHONE INPUT TRANSFORMER



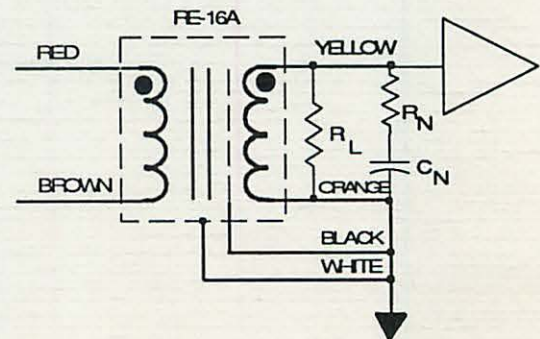
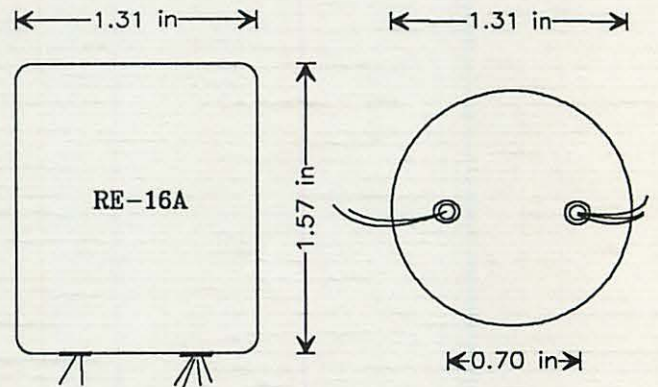
RE-115K-E 20Hz DISTORTION



RE-16A MAGNITUDE RESPONSE

- **Impedance Ratio:** 150 ohms to 600ohms
- **Turns Ratio:** 1:2
- **20Hz Max Input Level:** +8 dBu
- **30Hz Max Input Level:** +12 dBu
- **Bandwidth (-3db point):** 160 kHz
- **Magnetic Shield:** 30db case with separate lead (white)
- **Faraday Shield:** 1 with separate lead (Black)
- **Recommended Load:** 6.2K ohms
- **Recommended RC network:** 3.6K ohm + 820pf

NOTE: All transformers formerly sold under the *Jensen Transformers* name are the design and manufacture of Reichenbach Engineering.
Specifications subject to change without notice or obligation.



©1991 BCI