

QUICK REFERENCE GUIDE

INPUT TRANSFORMERS

Model	Application	Impedance Ratio	Turns Ratio	Bandwidth	Max input level		Size	Weight	Approximate Cost		
					20Hz	30Hz			1	25	100
RE-16-A	Mic input	150-600	1:2	200K	+8	+12	1.31x1.57	5.5 oz	64.00	53.00	41.00
RE-13K6-C	Mic input	150-3750	1:5	85K	-2.5	+1	1.13x1.06	2.5 oz	41.00	34.00	26.00
RE-13K7-A	Mic input	150-3750	1:5	85K	+8	+12	1.31x1.57	5.5 oz	64.00	53.00	41.00
RE-115K-E	Mic input	150-1500	1:10	95K	-2.5	+1	1.13x1.06	2.5 oz	50.00	41.00	32.00
RE-MB-C	Mic split 1 secondary	150-150	1:1	150K	+1	+5	1.13x1.06	2.5 oz	40.00	33.00	26.00
RE-MB-D	Mic split 2 secondary	150-150- 150	1:1:1	88K	+2	+6	1.13x1.06	2.5 oz	70.00	58.00	45.00
RE-MB-E	Mic split 3 secondary	150-150- 150-150	1:1:1:1	48K	+10	+14	1.31x1.57	5.5 oz	96.00	80.00	61.00
RE-DB-E	Direct Box	20K-150	12:1	65K	+19	+24	1.13x1.06	2.5 oz	50.00	42.00	32.00
RE-11P-1	Line in	15K-15K	1:1	85K	+16	+20	1.13x1.06	2.5 oz	47.00	39.00	30.00
RE-11P-1PC	Line in	15K-15K	1:1	85K	+16	+20	1.13x0.84	2.5 oz	46.00	38.00	29.00
RE-11P-2	Line in	15K-15K	1:1	80K	+22	+26	1.31x1.19	4.0 oz	87.00	72.00	56.00
RE-11P-9	Line in	15K-15K	1:1	55K	+24	+28	1.31x1.57	5.5 oz	103.00	85.00	66.00
RE-10KB-C	Line in Bridging	10K-600	4:1	125K	+19	+23	1.13x1.06	2.5 oz	42.00	35.00	27.00
RE-6110K-B	Line in Bridging	10K-600	4:1	160K	+24	+27	1.31x1.57	5.5 oz	66.00	55.00	42.00

The above input transformers represent our most popular designs. Many are available as pc or octal plug mounting. Other types of mountings, split or tapped primary and secondaries, tube and true 600 ohm, are also available. Prices are rounded up.

OUTPUT TRANSFORMERS

Series Type	Maximum Output		DCR		Turns Ratio		Weight	Core Size	Approximate Cost		
	20hz	30hz	Bifilar	Quadfilar	Bifilar	Quadfilar			1	25	100
BL	+32	+35	40	20	1:1	1:1 / 1:2	19 oz	2.25x1.88	50.00	42.00	32.00
DL	+27	+30	38	19	1:1	1:1 / 1:2	11 oz	1.88x1.56	39.00	32.00	25.00
EL	+23	+26	40	20	1:1	1:1 / 1:2	6 oz	1.63x1.31	31.00	26.00	20.00
FL	+20	+24	58	29	1:1	1:1 / 1:2	4 oz	1.38x1.13	23.00	19.00	15.00
GL	+7	+11	43	NA	1:1	NA	1.5 oz	1.00x0.75	27.00	22.00	17.00
BM	+26	+29	40	20	1:1	1:1 / 1:2	19 oz	2.25x1.88	64.00	53.00	41.00
DM	+21	+25	38	19	1:1	1:1 / 1:2	11 oz	1.88x1.56	48.00	40.00	31.00
EM	+17	+22	40	20	1:1	1:1 / 1:2	6 oz	1.63x1.31	41.00	34.00	26.00
FM	+15	+18	58	29	1:1	1:1 / 1:2	4 oz	1.38x1.13	28.00	24.00	18.00
GM	+4	+7	43	NA	1:1	NA	1.5 oz	1.00x0.75	28.00	23.00	18.00

Of all the output transformers we manufacture the majority fall into 5 basic series (or sizes). Starting with the largest, the B series, then the D, E, F, and the smallest the G series. The prefix stands for its possible use. 11 = Bifilar or 1:1, with its counterpart 123 = Quadfilar or 1:1, 1:2, or in one case 1:3. The suffix L stands for 50% nickel core material. The Suffix M stands for 80% nickel core material. The next possible suffix would be CF for channel frame mounting or PC for printed circuit mounting. Therefore an RE-11-BLCF is a 1 to 1, B series transformer using 50% nickel core material and a channel frame for mounting. Within a particular series type the power handling will be relatively consistent regardless of Bifilar, Quadfilar, split, tapped, or pc mount. Prices are rounded up and are based on the 1:1 Bifilar type. Other winding configurations and mounting types may be more expensive.

© 1991 BCI

Prices, terms, conditions, and specifications subject to change without notice or obligation.

MICROPHONE INPUT

RE-110K-C	40.21
<u>RE-110K-CU</u>	<u>33.77</u>
RE-110K-FA	47.16
<u>RE-110K-FB</u>	<u>45.65</u>
<u>RE-115K-E</u>	<u>49.01</u>
RE-135K-D	49.68
<u>RE-13K6-C</u>	<u>40.21</u>
<u>RE-13K7-A</u>	<u>63.01</u>
RE-13K7-B	71.24
<u>RE-150MM</u>	<u>9.43</u>
<u>RE-16-A</u>	<u>63.01</u>
<u>RE-16-B</u>	<u>69.26</u>
RE-6110K-A	41.50

MICROPHONE INPUT PC TYP

<u>RE-110K-HPC</u>	<u>47.35</u>
RE-115K-MAX	41.12
RE-13K7-APC	76.81
<u>RE-150K-MAX</u>	<u>30.31</u>
RE-16-APC	76.81
<u>RE-6110K-APC</u>	<u>40.87</u>

MICROPHONE BRIDGING

<u>RE-MB-C</u>	<u>39.58</u>
RE-MB-CPC	51.50
<u>RE-MB-CSC</u>	<u>45.87</u>
<u>RE-MB-D</u>	<u>69.23</u>
RE-MB-DLL	73.76
<u>RE-MB-E</u>	<u>95.58</u>
DIRECT BOX	
<u>RE-DB-E</u>	<u>49.68</u>
RE-DB-EPC	51.50
RE-DB-EU	46.09

LINE INPUT

<u>RE-10KB-B</u>	<u>59.55</u>
<u>RE-10KB-C</u>	<u>41.94</u>
<u>RE-11P-1</u>	<u>46.66</u>
<u>RE-11P-1D</u>	<u>51.18</u>
RE-11P-1T	48.13
<u>RE-11P-5</u>	<u>65.77</u>
<u>RE-11P-9</u>	<u>102.12</u>
<u>RE-11SSP-6M</u>	<u>82.22</u>
<u>RE-119SP-8M</u>	<u>162.61</u>
RE-11SSP-8MA	134.53
<u>RE-6110K-B</u>	<u>65.71</u>
RE-6110K-BB	71.46
RE-751-M	93.71

LINE INPUT PC OR OCTAL BA

RE-10KB-BPC	74.61
RE-11P-1AN	64.92
RE-11P-1B	59.55
RE-11P-1BN	64.92
<u>RE-11P-1QN</u>	<u>64.92</u>
RE-11SSP-8MP	103.09
RE-6110K-BPC	81.74
<u>RE-900-9050</u>	<u>64.92</u>
RE-900-9150	115.92
RE-900-9155	59.74
<u>RE-8043</u>	<u>45.24</u>

OUTPUT STEEL CORE

RE-11-FCF	22.29
RE-112-CF	24.02
<u>RE-123-ACF</u>	<u>33.61</u>
RE-123-B	38.36
RE-123-D	34.05
RE-123-H	34.58
<u>RE-123-SCF</u>	<u>27.16</u>
RE-8093	139.91

OUTPUT STEEL CORE PC TY

RE-11-FPC	22.95
<u>RE-112-PC</u>	<u>24.68</u>
RE-123-APC	34.27
RE-123-SPC	28.89
<u>RE-123-C</u>	<u>33.61</u>
RE-125-SPC	33.17
RE-DBX	25.09

OUTPUT 50% NICKEL CORE

<u>RE-11-BLCF</u>	<u>49.90</u>
<u>RE-11-DLCF</u>	<u>38.07</u>
<u>RE-11-ELCF</u>	<u>30.37</u>
<u>RE-11-FLCF</u>	<u>22.86</u>
RE-11-FL X	40.93
<u>RE-11SL</u>	<u>42.57</u>
<u>RE-112-LCF</u>	<u>27.42</u>
RE-11SS-BLCF	57.79
RE-11SS-DLCF	44.80
RE-11SS-ELCF	36.85
RE-11SS-FI C.F	30.72
<u>RE-123-ALCF</u>	<u>42.57</u>
<u>RE-123-BLCF</u>	<u>54.52</u>
<u>RE-123-DLCF</u>	<u>42.60</u>
RE-123-SLCF	33.74
RE-123-SL-X	51.81

OUTPUT 80% NICKEL CORE

<u>RE-11-BMCF</u>	<u>63.10</u>
<u>RE-11-DMCF</u>	<u>47.07</u>
<u>RE-11-EMCF</u>	<u>40.78</u>
RE-112-MCF	32.48
RE-11SS-BMCF	68.63
RE-11SS-EMCF	45.93
<u>RE-123-BMCF</u>	<u>67.72</u>
RE-123-DMCF	51.86

OUTPUT 70v & 25v

RE-25VC-10W	52.06
RE-752-M	65.24
RE-70VC-5W	106.11

MOVING COIL INPUT

RE-34K-DX	64.26
RE-44K-DX	64.26

ELECTRET MICROPHONE OU

<u>RE-7552</u>	<u>23.99</u>
----------------	--------------

LOW FREQUENCY TAPPED IN

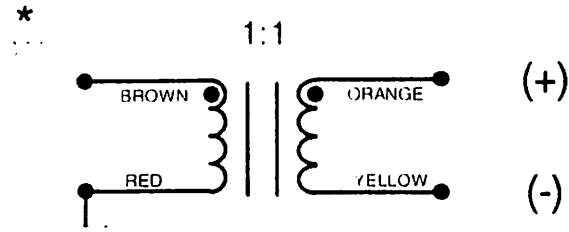
RE-LX-2K	122.33
RE-LX-600	122.33
RE-7961	14.40
RE-8355	18.93

TAPE HEAD MATCH

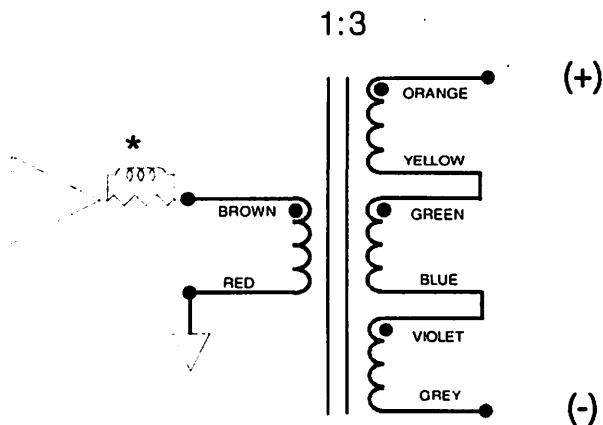
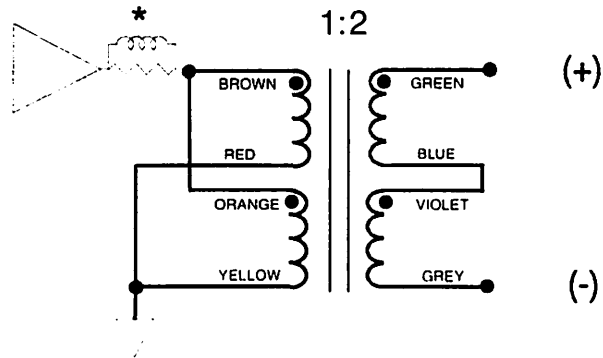
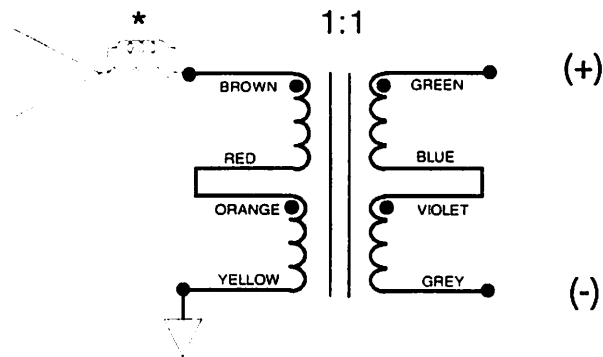
RE-642-90	92.43
-----------	-------

OUTPUT TRANSFORMER HOOKUP

ALL RE-11 Series Output Transformers



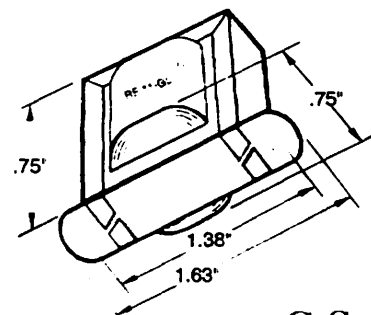
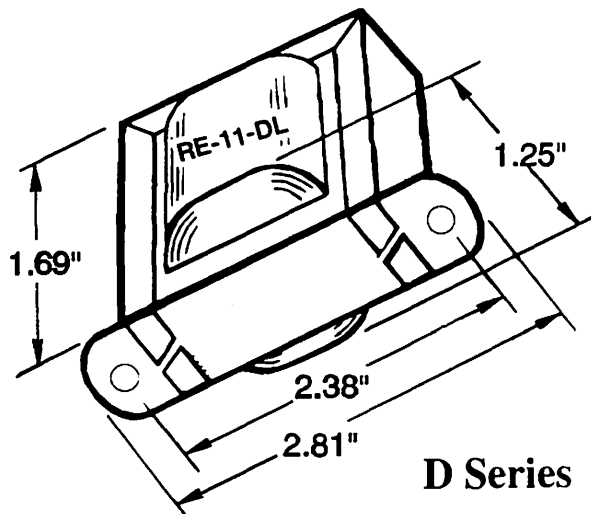
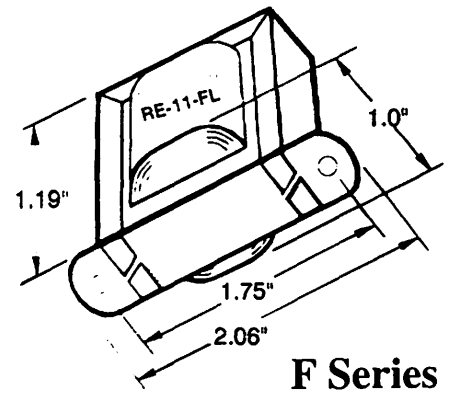
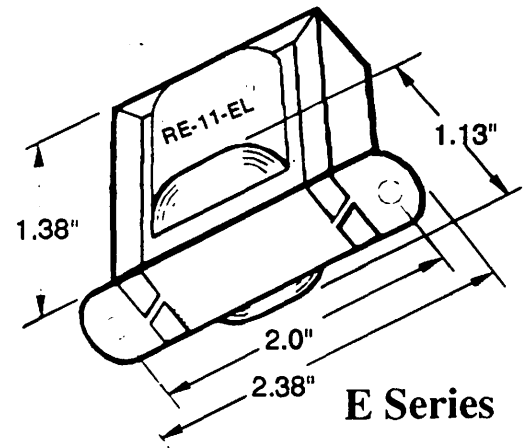
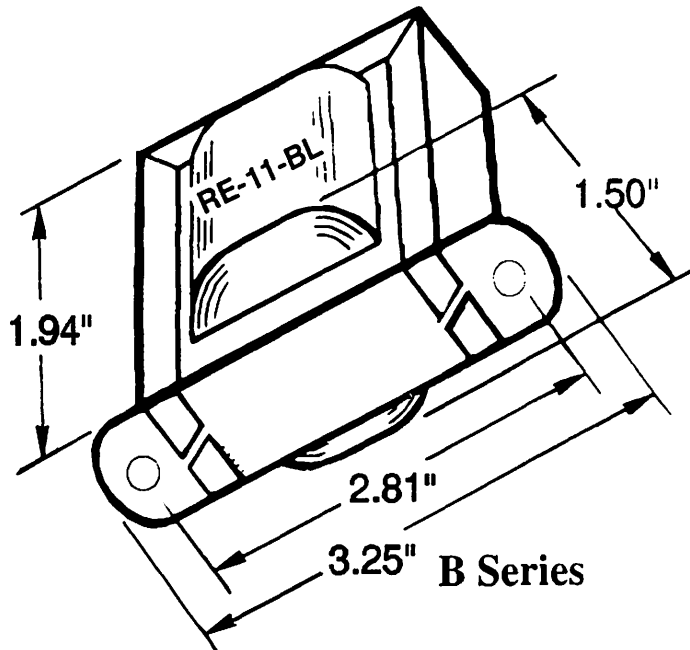
ALL RE-123 Series Output Transformers



©1991 BCI

*Output isolator is a 39 ohm 1 watt resistor wound with 40 turns of #30 magnet wire.

OUTPUT TRANSFORMER SIZES



- B Series - approx. weight 19 oz
- D Series - approx. weight 11 oz
- E Series - approx. weight 6 oz
- F Series - approx. weight 4 oz
- G Series - approx. weight 1.5 oz